



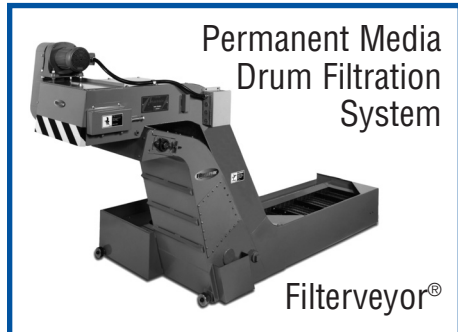
Hinged Metal Belt Conveyors



Drag Flight Conveyors



Magnetic Conveyors



Permanent Media Drum Filtration System

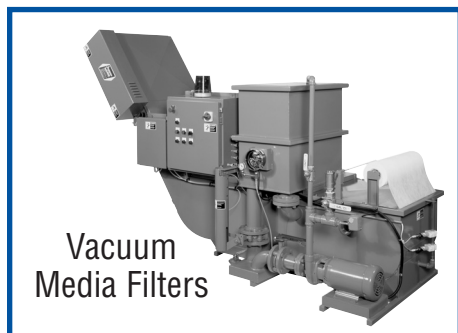
Filterveyor®



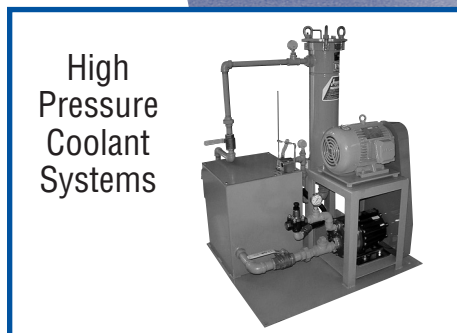
EcoFilter Conveyor



Gravity Media Filters



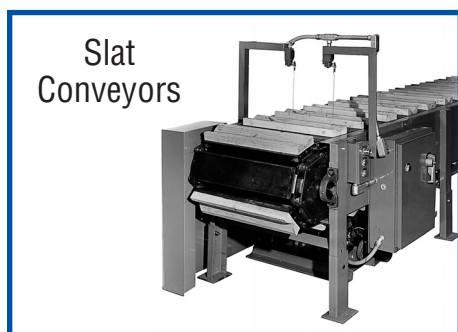
Vacuum Media Filters



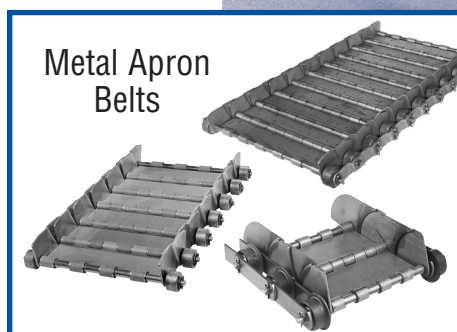
High Pressure Coolant Systems



Wire Mesh Belt Conveyors



Slat Conveyors



Metal Apron Belts



Disposable Filtration Products

**Jorgensen**<sup>®</sup>  
**CONVEYORS, INC.**

**4" Pitch Hinged Steel Belt Conveyors**

**HEAVYWEIGHT CHAMP**



**Jorgensen**<sup>®</sup>  
**CONVEYORS, INC.**

10303 N. Baehr Road  
Mequon, Wisconsin 53092-4611  
Phone: (262) 242-3089 or (800) 325-7705  
Fax: (262) 242-4382  
E-Mail: [info@jorgensenconveyors.com](mailto:info@jorgensenconveyors.com)  
[www.jorgensenconveyors.com](http://www.jorgensenconveyors.com)



Bulletin 83-17 Rev. 02-17



## APPLICATION:

Ideal for handling small parts, stampings, scrap, chips, turnings, material wet or dry, horizontal or elevating, single or multiple unit systems.

### "CUSTOM ASSEMBLED"

All conveyors are custom fabricated to customer's requirements to insure proper fit. Conveyors can be fabricated with coolant reservoir for machine tool application where cutting oil and coolant is involved. Tank configuration per customer's requirements.

For complete design flexibility you get a choice of conveyor type with any reasonable length legs and angles, belt design and width, and drive systems with optional safety equipment.

## FEATURES:

### BELT SPECIFICATIONS:

Width:

6" to 84" – as required.

Drive:

Heavy duty motor and speed reducer size depending on belt speed and load

Frame:

Formed 7 guage steel, stationary or portable.

Bearings:

Grease sealed, self-aligning ball bearings.

Safety Options:

Current overload sensor, or shear pin hub.

Drainage Options:

Belt with coolant drainage perforations and leak-proof bottom panel optional.

## 4" PITCH CONVEYOR TYPES

